

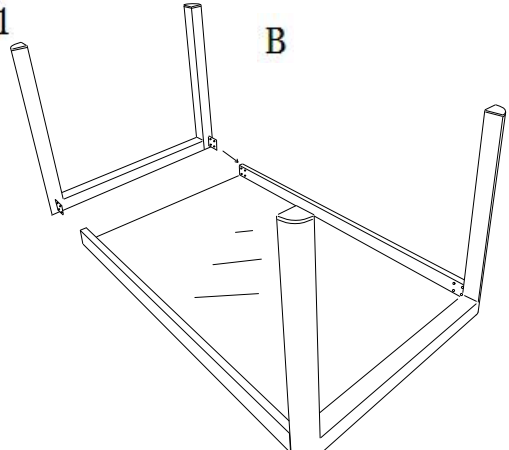
# Assembly Instruction

MONTERINGSANVISNING | MONTAGEANLEITUNGEN



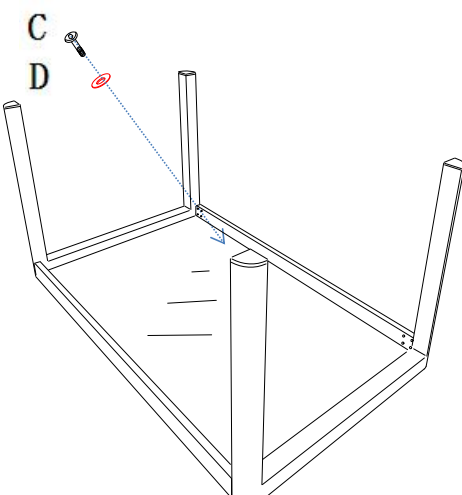
## PART LIST

**STEP1**

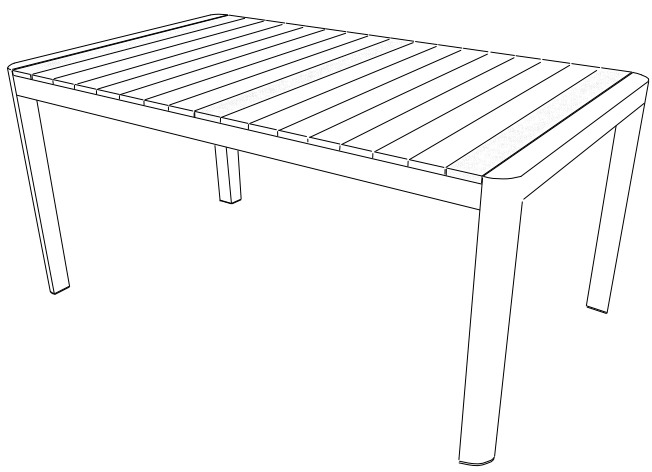


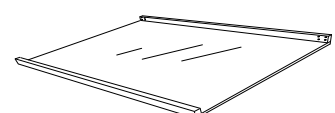
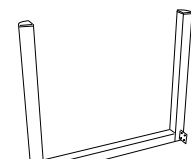


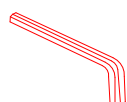
**A**

**STEP2**



**STEP3**



NO.	PART	QTY.
A		1
B		4
C		16
D		16
E		1

ProductNumber:2102-400/2102-408/2103-400/2103-408

Description:Togo - Dining Table



@Venturehomese  
@Venture.Design

Do not tighten screws until all screws  
have been assembled !

**Venture  
home**

