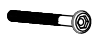

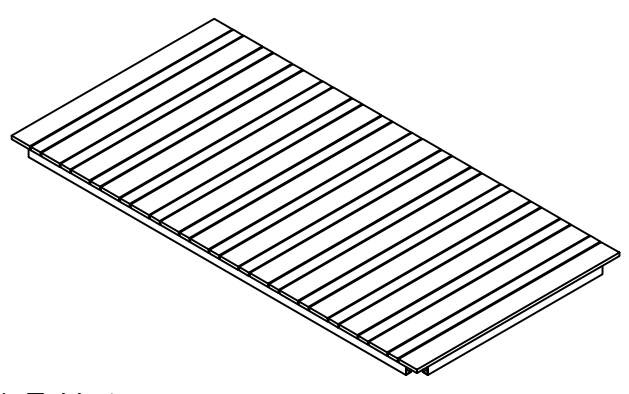


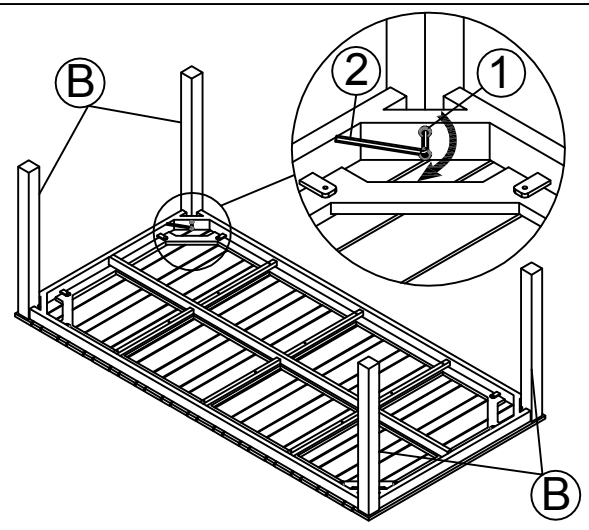
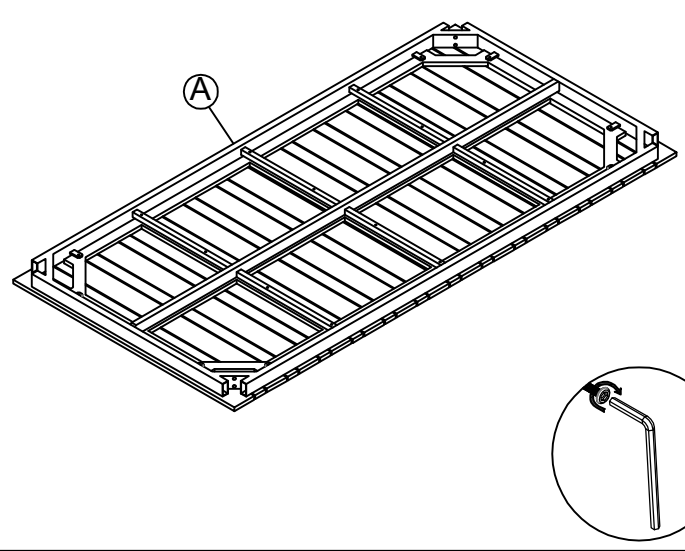
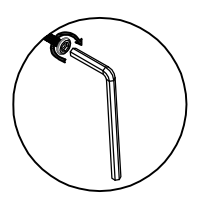
No	Hardware	Qty.
01	Bolts  Ø6x70 (mm)	08
02	Allen Key  4x57 (mm)	01



A x 1 Table top



A x 4 Legs



STEP 1: Attach A(x1) to B(x4)

