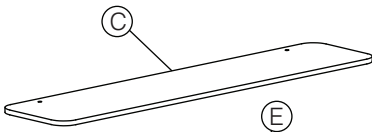
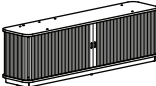
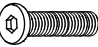
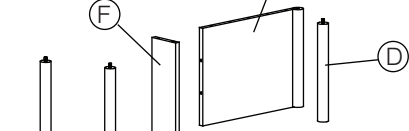
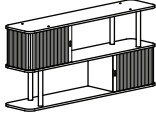
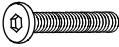






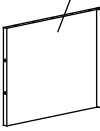
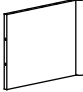

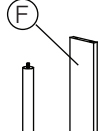

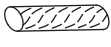








ASSEMBLY INSTRUCTIONS

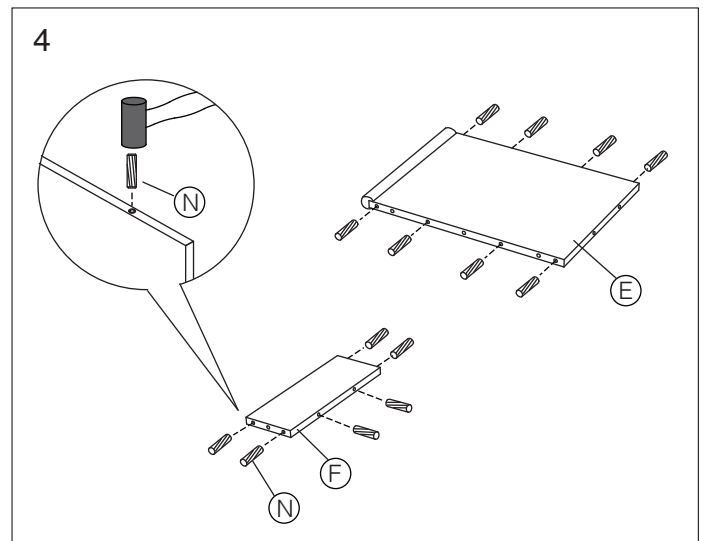
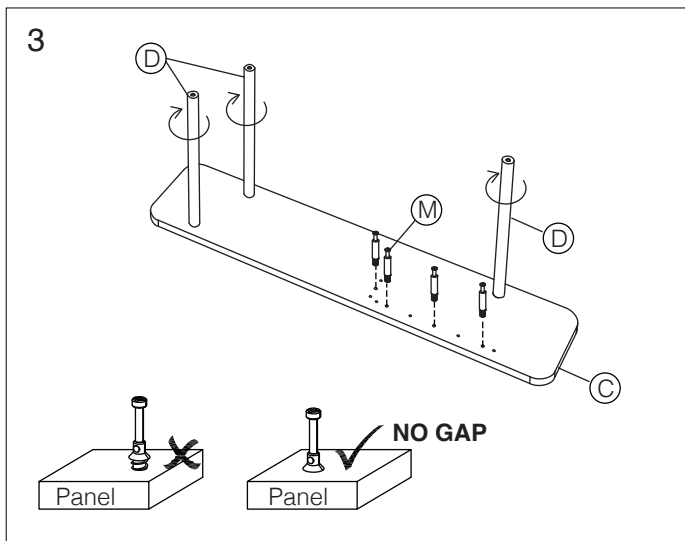
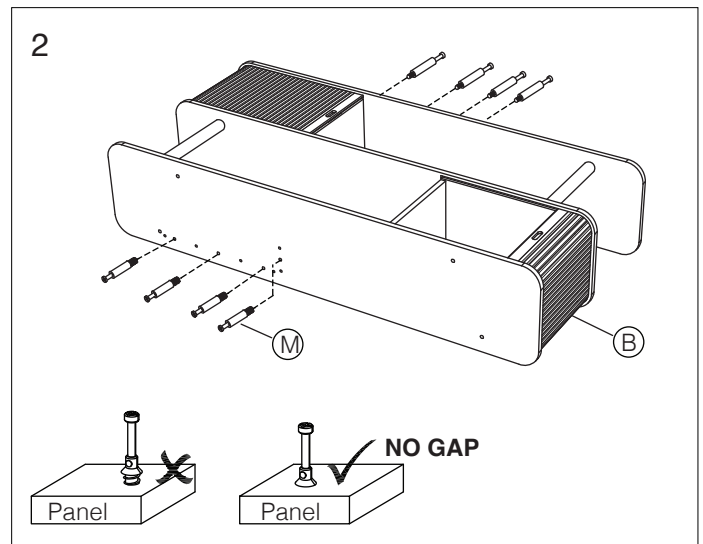
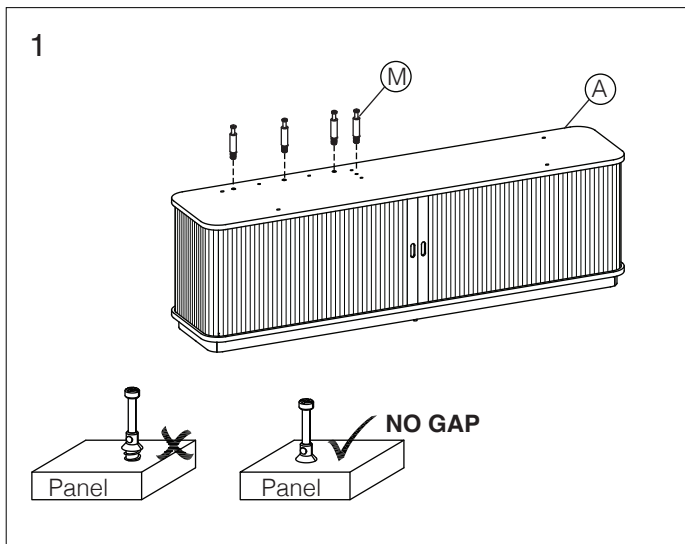
Please read the instructions carefully for correct and safe assembly.

Fittings and parts checklist			
	(A) x1		(I) M8 x 30mm x6 
	(B) x1		(J) M6 x 35mm x5 
	(C) x1		(K) M6 x 15mm x2 
	(D) x6		(L) x16 
	(E) x2		(M) x16 
	(F) x2		(N) x28 
	(G) x1		(O) Dia 19mm x2 
	(H) x1		(P) x1 

Thank you for
purchasing this
Zuiver product.

ASSEMBLY INSTRUCTIONS

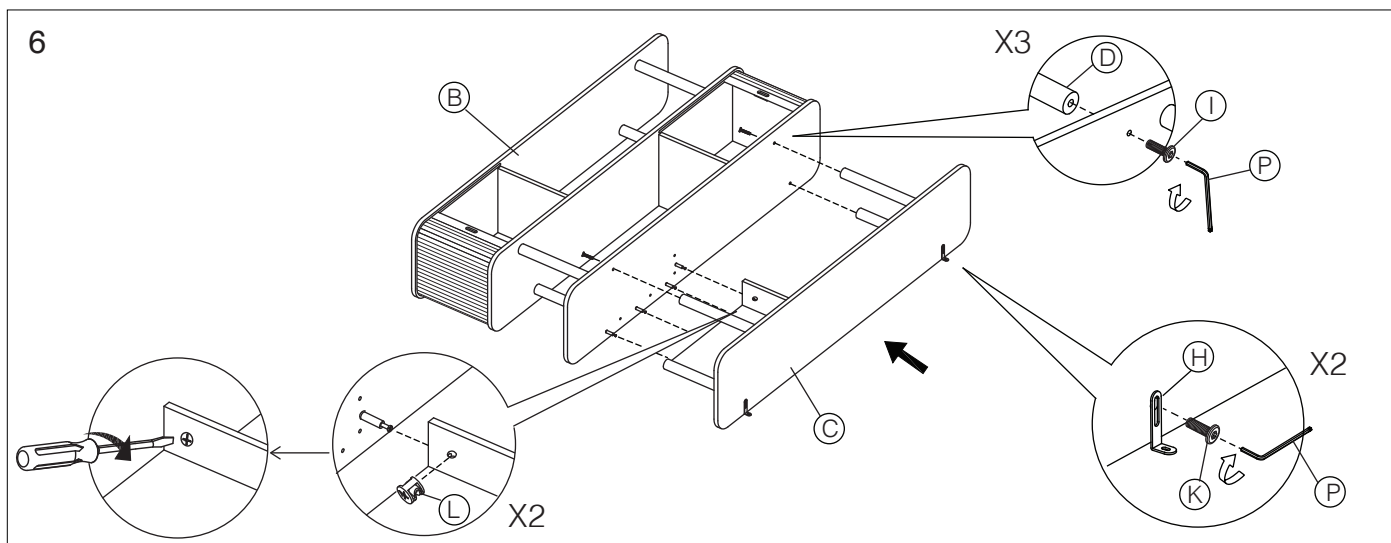
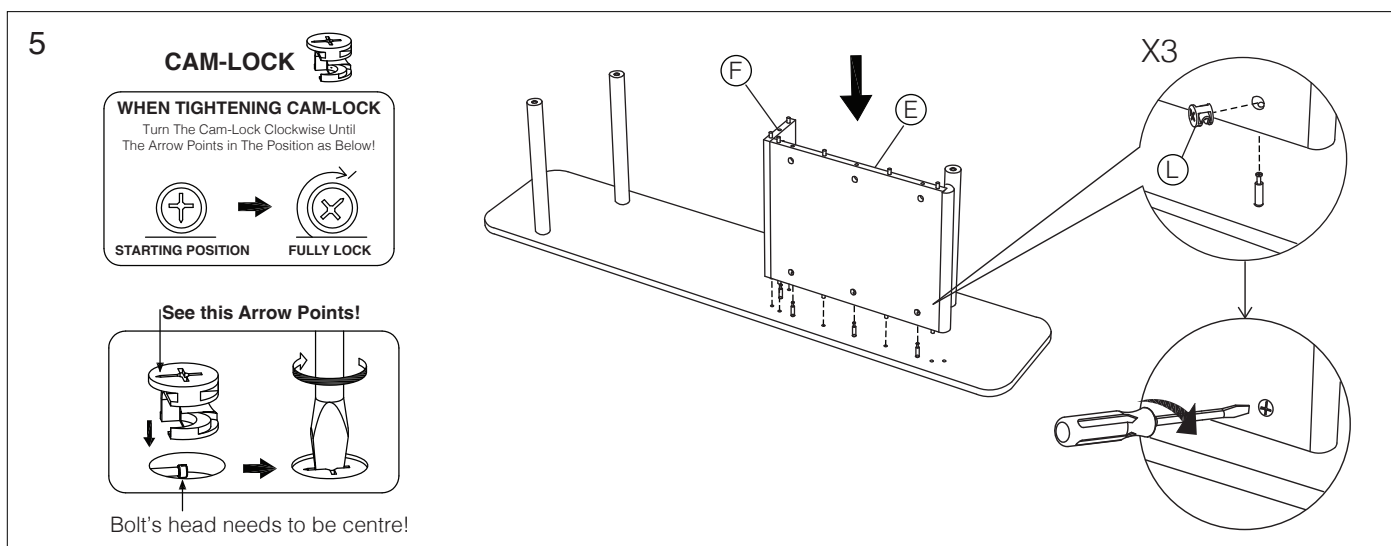
Please read the instructions carefully for correct and safe assembly.



Thank you for
purchasing this
Zuiver product.

ASSEMBLY INSTRUCTIONS

Please read the instructions carefully for correct and safe assembly.



Thank you for
purchasing this
Zuiver product.

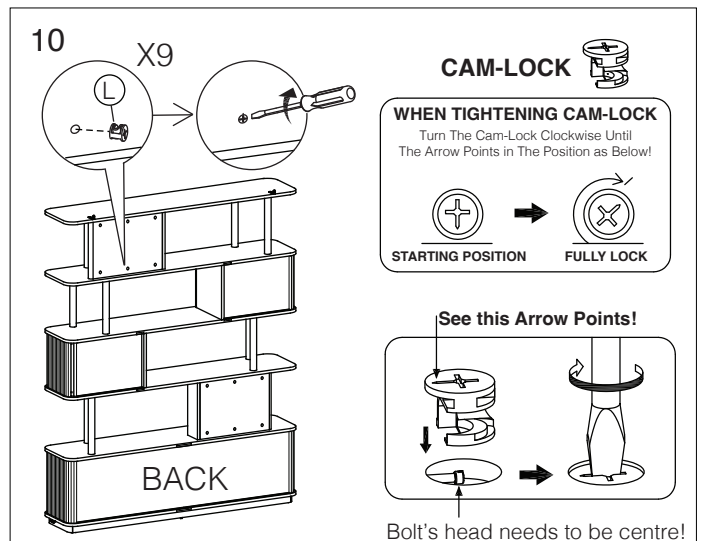
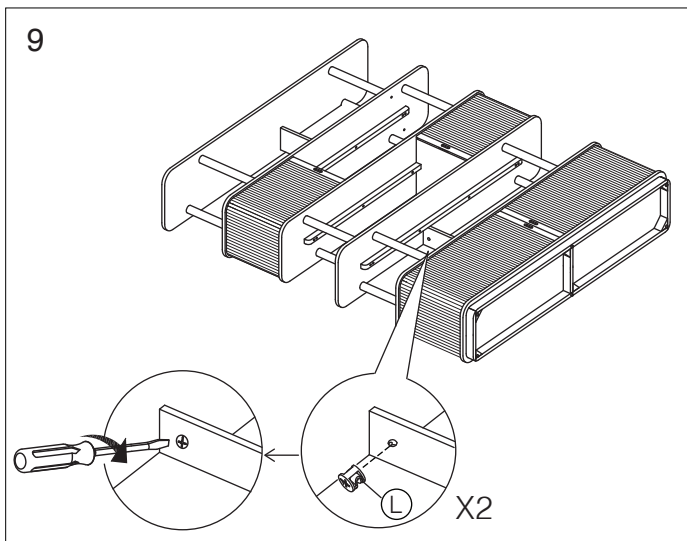
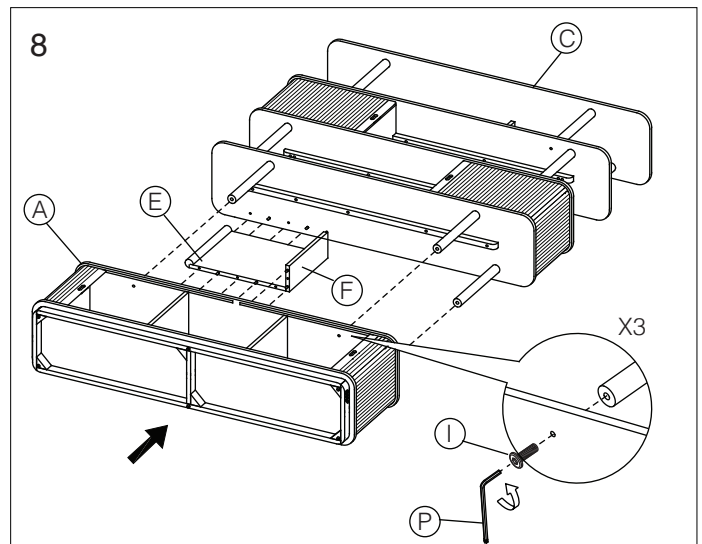
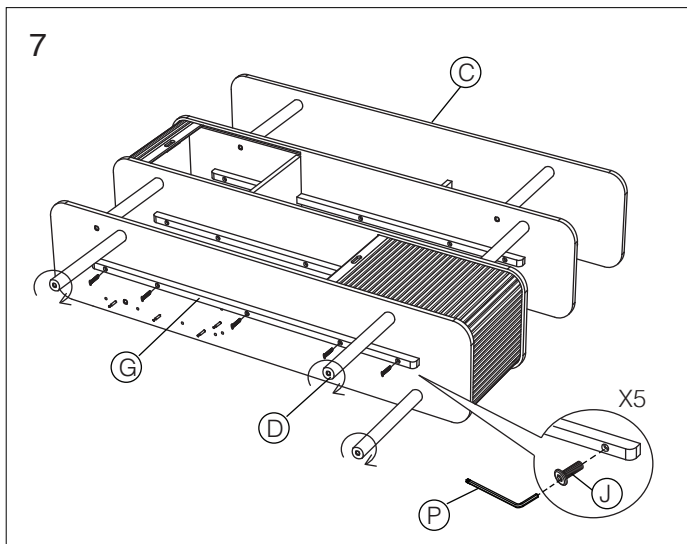
zuiver^o

Name product: Bookcase Barbier Natural

Article number: 1001567/ 1001749

ASSEMBLY INSTRUCTIONS

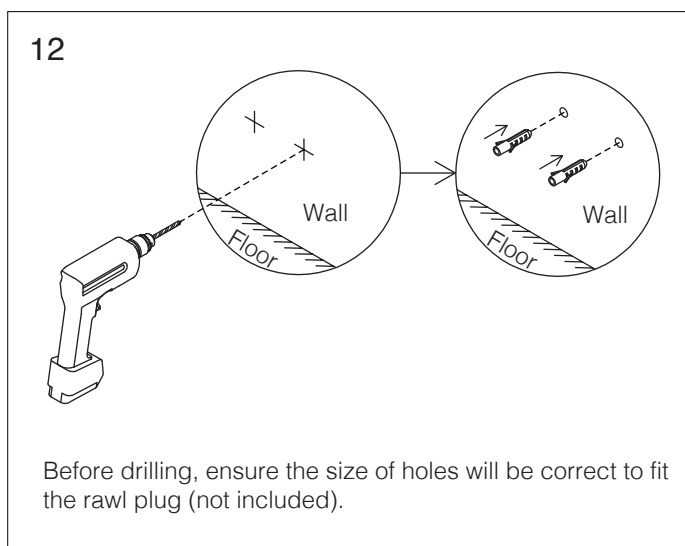
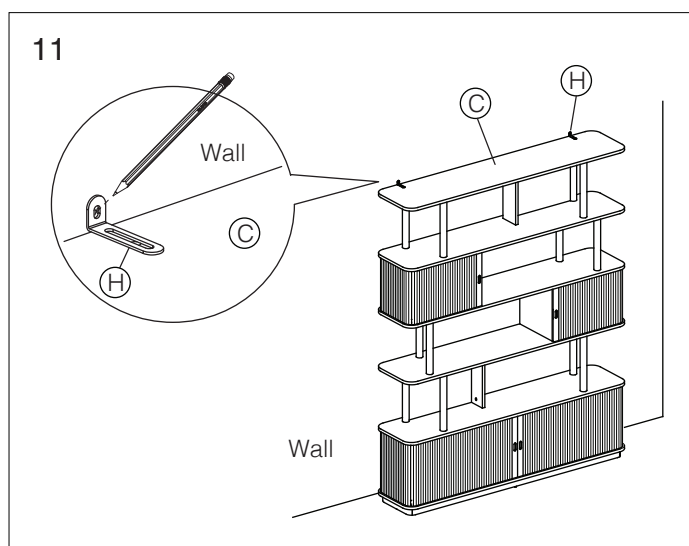
Please read the instructions carefully for correct and safe assembly.



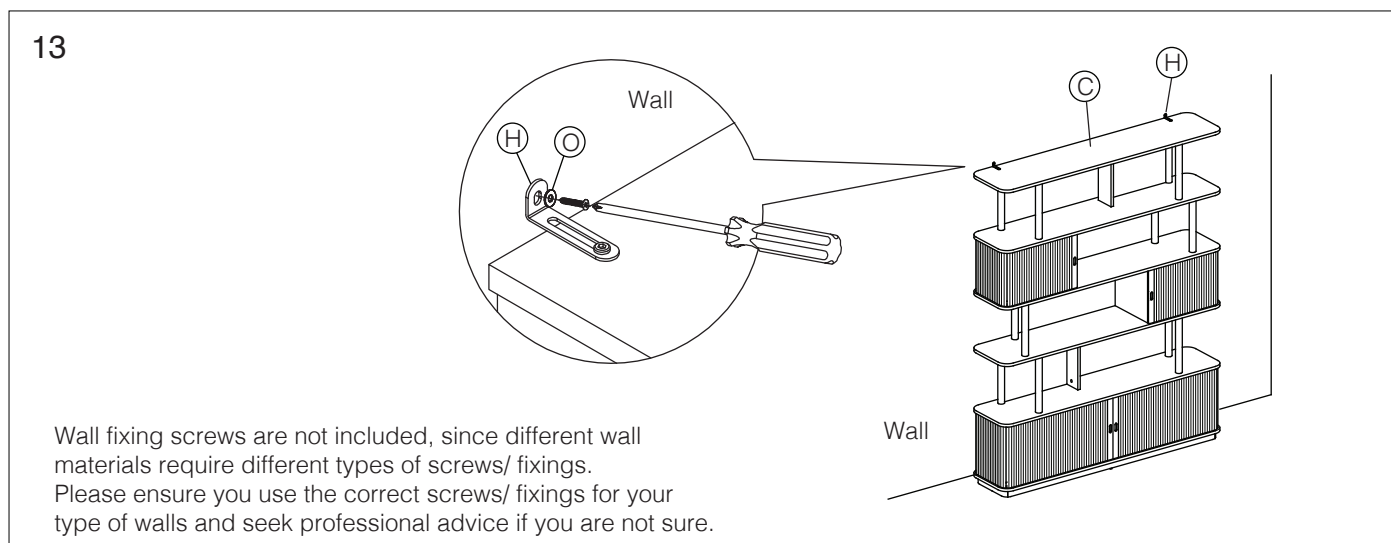
Thank you for
purchasing this
Zuiver product.

ASSEMBLY INSTRUCTIONS

Please read the instructions carefully for correct and safe assembly.



Before drilling, ensure the size of holes will be correct to fit the rawl plug (not included).



Wall fixing screws are not included, since different wall materials require different types of screws/ fixings. Please ensure you use the correct screws/ fixings for your type of walls and seek professional advice if you are not sure.

**Thank you for
purchasing this
Zuiver product.**

zuiver^o

Care and Maintenance

Wood furniture

- Wood displays different grain patterns depending on which way they cut - for example, the 'medullary ray' which can appear as a mark of good quality timber - these are just characteristics of the natural beauty of the wood. Some furniture is also deliberately aged and rustic.
- Wood veneers also allow distinctive patterns to be created on flat surfaces, such as table tops and drawer fronts by the way the slivers are arranged.
- All timber surfaces will change colour and mellow over time. New furniture will initially vary in shade from items that have been previously purchased.

How to care for your wood furniture

- Furniture with a hard lacquer, wax polish or painted surface should be dusted with a dry cloth.
- Spray polishes are best avoided as they contain silicones which may spoil the furniture's surface by building up over time.
- Make sure all surfaces are protected from heat and liquids by mats and coasters. Wipe up spills immediately and ensure that a mat or pad is placed under paper if you are writing.
- Our furniture will endure most temperatures in the home but it is best to avoid placing furniture next to heat sources such as radiators or fires. Be particularly careful with solid wood as the lack of humidity caused by central heating can cause damage such as warping.

Safety instructions

- Never drag furniture when moving it, always lift it.
- Periodically check all fixings to ensure none have come loose and re-tighten where necessary.
- Please take care when handling or moving the furniture, careless handling may cause damage or injury.
- Furniture can be dangerous if incorrectly installed. Assembly should be carried out by a competent person. No liability will be accepted for damage or injury caused by incorrectly installed or assembled furniture.
- It is recommended that before moving heavy objects to a new location they are completely dis-assembled to avoid personal injury or damage to the furniture. Please be careful to retain all fittings when doing this.